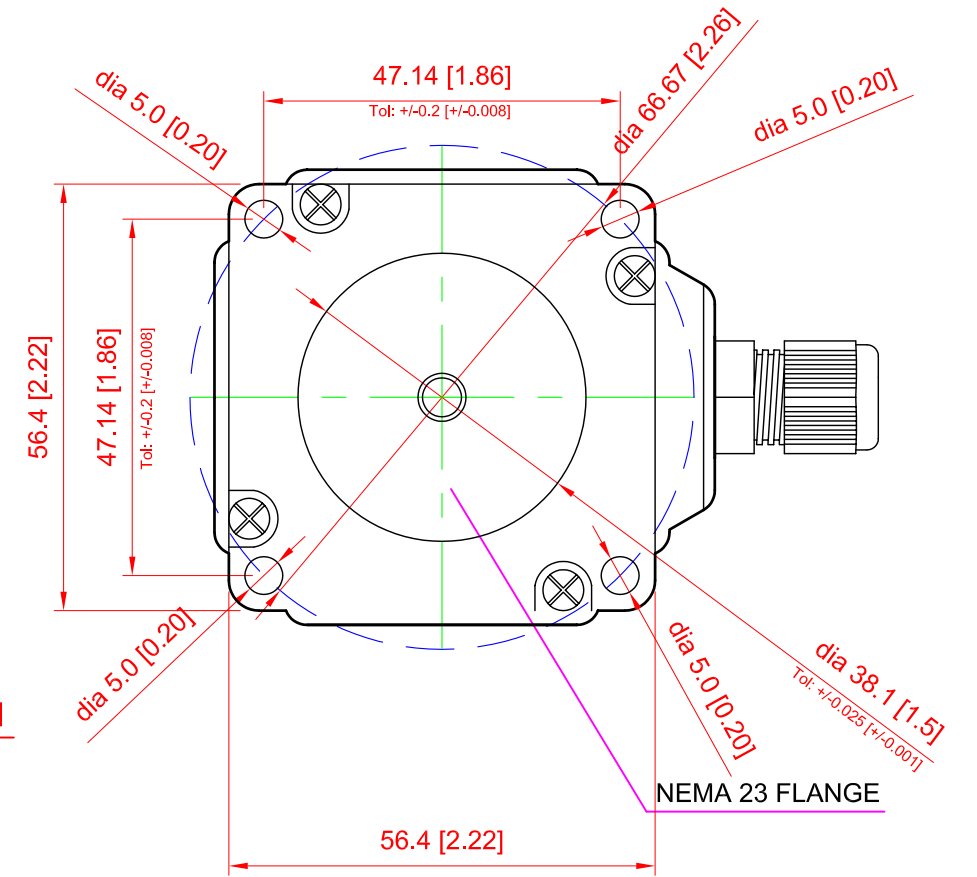
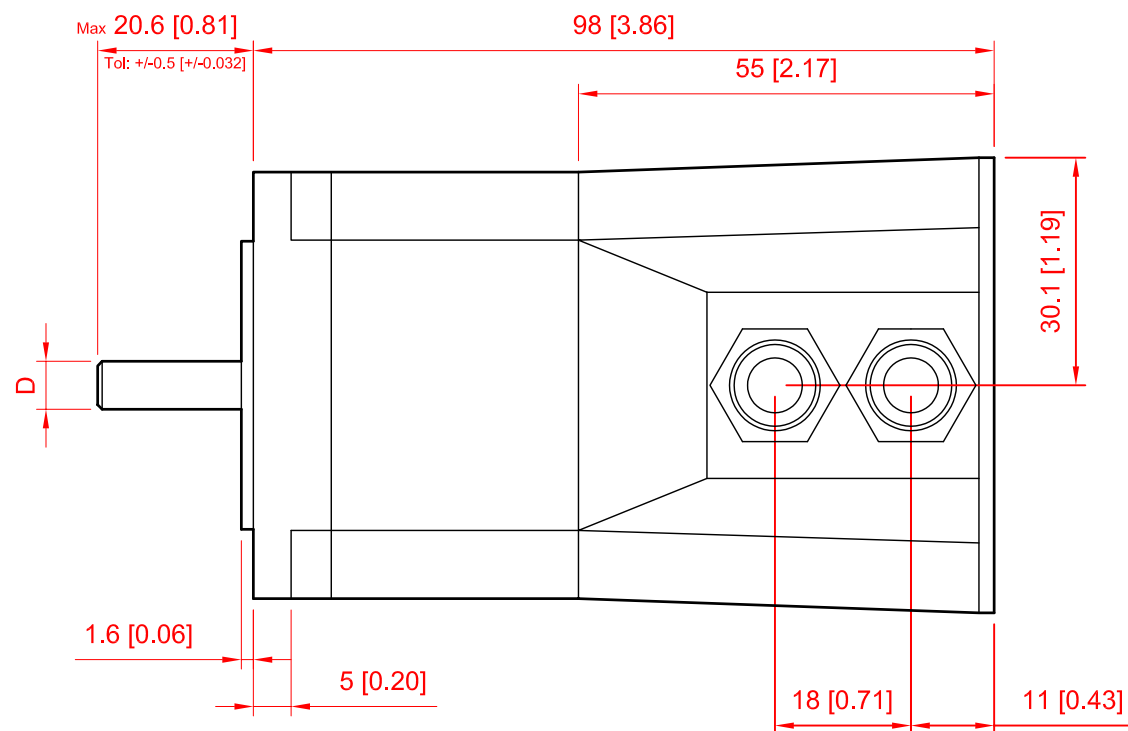
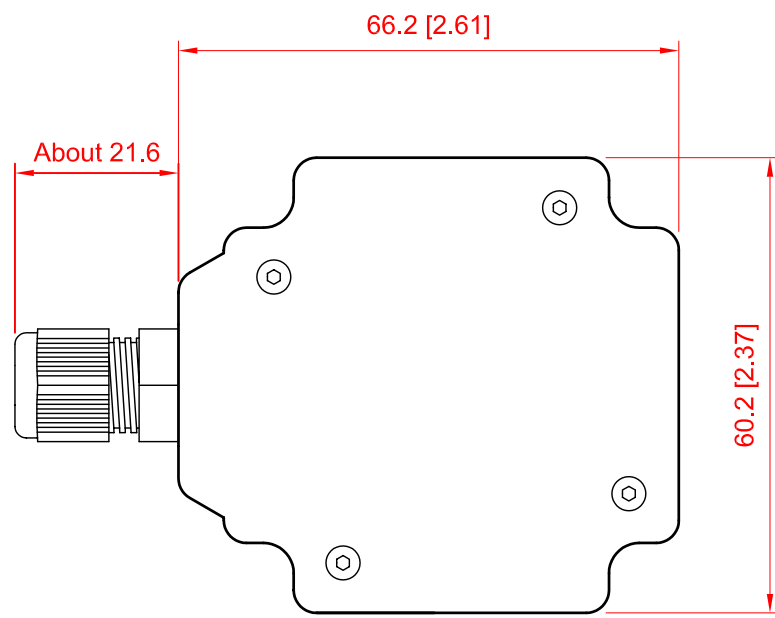


Ref. No.	Revision	Date	Sign.
-	-	-	-



Measurers: mm [inches]

Scale 1 : 1 A3		JVL Industri Elektronik A/S. <i>Integration In Motion</i> Blokken 42 DK-3460 Birkerød, Denmark Phone: +45 45 82 44 40 Fax: +45 45 82 55 50 E-mail: jvl@jvl.dk http://www.jvl.dk	Draw No. LT0117-10GB
Drawn by PCR	QuickStep motor		
Date 291007	MIS231 with Glands		
Checked -			
Approved -			Draw No. LT0117-10GB